



PZ-UT30V Series

Frame Core Chokes for Power Lines
 Web: <http://www.dgpinzhan.com>
 E-mail: sales@dgpinzhan.com

Created

Checked

Type

Date

Version

Page

Tom

Justin

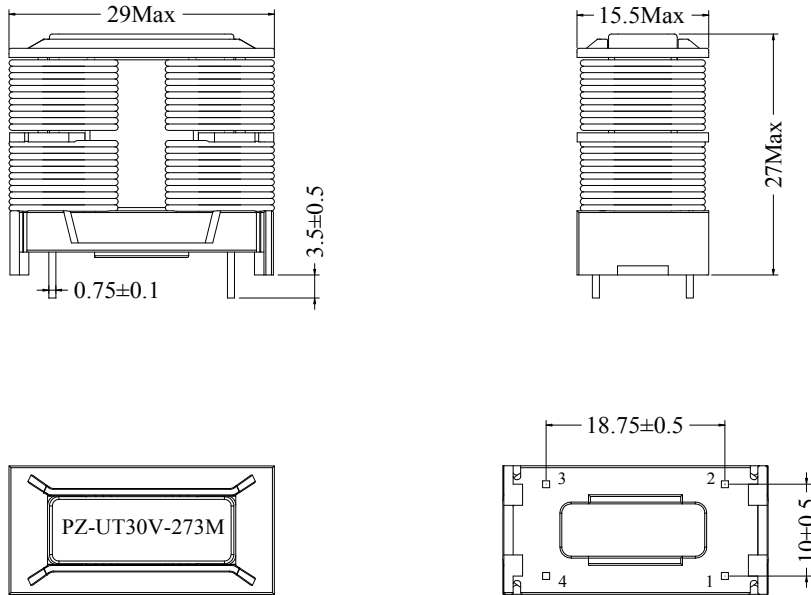
DIP

2020/4/15

A001

1

1. Dimensions: [mm]



4. General Properties:

It is recommended that the temperature of the component does not exceed +125°C under worst case conditions.

| | |
|------------------------|----------------------|
| Storage Temperature: | -20 °C up to +60 °C |
| Operating Temperature: | -40 °C up to +125 °C |

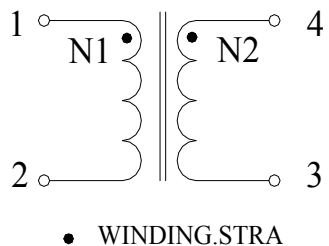
Temperature Rise < 55K.

Test conditions of Electrical Properties: +20°C, 33% RH if not specified differently.

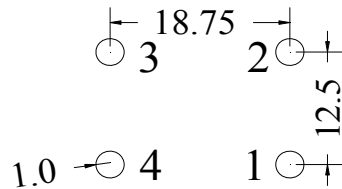
5. Electrical Properties:

| Part Code | Inductance | Test condition | DC-Resistance | Rated Current | TDK Cord |
|---------------|------------|----------------|---------------|---------------|-----------------|
| PZ-UT30V-103M | 10mH | 10KHZ/0.05V | 200mΩ Typ | 2.3A Max | B82733V2232B001 |
| PZ-UT30V-153M | 15mH | 10KHZ/0.05V | 280mΩ Typ | 1.9A Max | B82733V2192B001 |
| PZ-UT30V-273M | 27mH | 10KHZ/0.05V | 450mΩ Typ | 1.4A Max | B82733V2142B001 |
| PZ-UT30V-393M | 39mH | 10KHZ/0.05V | 700mΩ Typ | 1.2A Max | B82733V2122B001 |
| PZ-UT30V-473M | 47mH | 10KHZ/0.05V | 810mΩ Typ | 1.1A Max | B82733V2112B001 |
| PZ-UT30V-683M | 68mH | 10KHZ/0.05V | 1100mΩ Typ | 0.9A Max | B82733V2901B001 |
| PZ-UT30V-104M | 100mH | 10KHZ/0.05V | 1810mΩ Typ | 0.7A Max | B82733V2701B001 |

2. Schematic:



3. PCB Layout Ref(mm)



*** Acceptable customers design custom**

5.1 Rated current: IR at 50 Hz and TA = 40 °C

5.2 Rated voltage: 250 V AC

5.3 Excellent differential-mode suppression

5.4 Inductance tolerance -30/+50%.